

DX 1/2 C

DECADE BRI Tap Range Decade Basin Taps Chrome



Features:

- Metal Backnuts
- Ceramic Disc

Product Certifications:

WARS certificate no: 1311084
WRAS expiry date: 30/11/2018



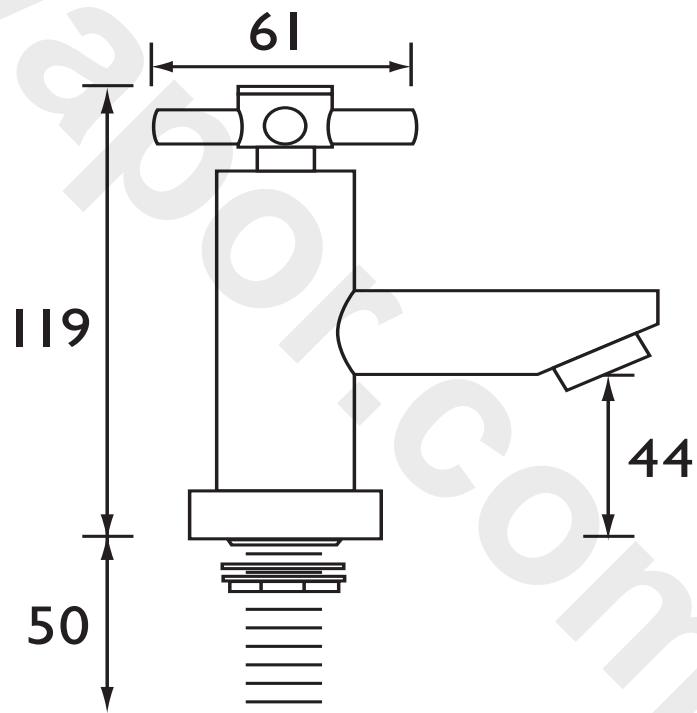
For more products, visit our website:



Specification

Style:	Contemporary
Product Type:	Bathroom Taps
Finish/Colour:	Chrome
Main Construction Material:	Brass
Mount Type:	Deck
Handle Type:	Cross Head
Connection Inlet:	1/2" BSP
Number of Tap Holes Required:	2
Valve/Cartridge Type:	1/2" Ceramic Disc Valve
Plumbing System Suitability	All
Working Pressure Range:	Min 0.2 bar - Max 5 Bar
Maximum Hot Water Temperature: °c	65
Maximum Dynamic Pressure: (bar)	5 bar
Maximum Static Pressure: (bar)	10
Flow Type:	Single Flow
Flow Rate: (l/min @ 3 bar)	10
Connection Outlet:	M18 Flow Straightner
Isolation Included:	No

Dimensions (measurements in mm)



Flow Rates (l/min)

System Pressure (bar)	0.2	0.5	1	2	3	5
DX 1/2 C	2.7	4.2	5.8	8.2	10	12.9

TECHNICAL
DATA
SHEET



BRISTAN
TAPS & SHOWERS

D3